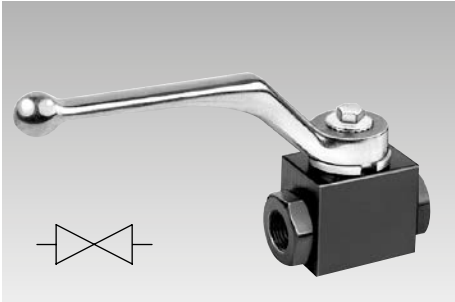
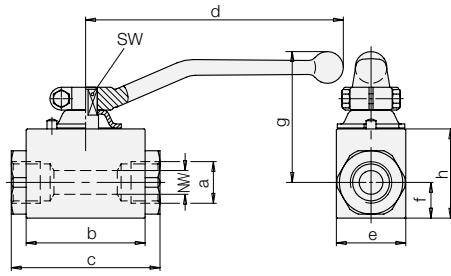




**High-Pressure Shut-Off Valves
Flow Control Valves**

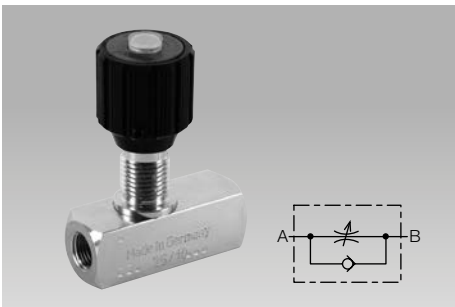


High-pressure shut-off valve
Max. operating pressure 500 bar

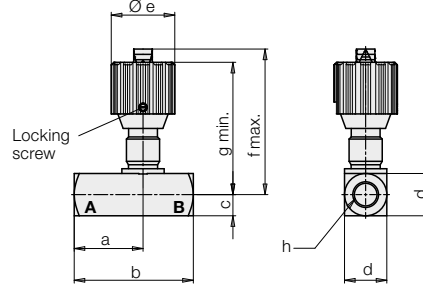


Spare operating lever for 2944-002
Part no. steel 3540-317
Part no. alu 3540-318

Temperature range -20...+60 °C.		
Hermetically sealing		
ND	[mm]	6 12
a		G1/4 G1/2
b	[mm]	37 60
c	[mm]	50 75
d	[mm]	105 130
e	[mm]	26 35
f	[mm]	13 18
g	[mm]	57 66
h	[mm]	32 45
SW	[mm]	9 10
Weight	[kg]	0.3 0.7
Part no.		2944-002 2945-000

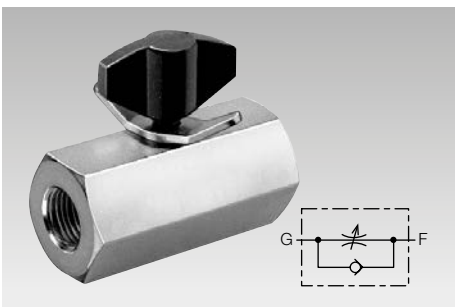
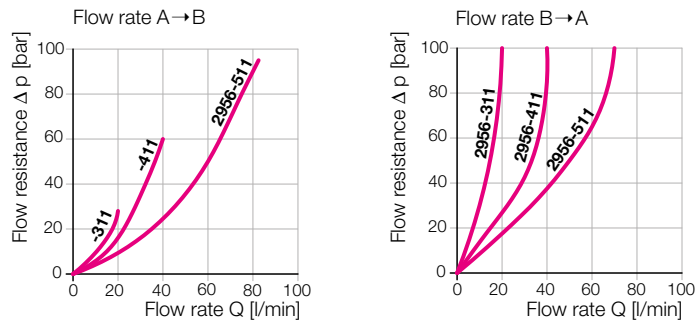


Flow control valve
Max. operating pressure 350 bar

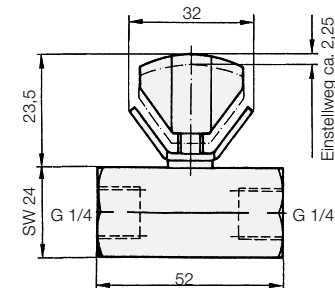


NS	[mm]	6 8 12
a	[mm]	26 33.5 44
b	[mm]	45 55 73
c	[mm]	8 12.5 17.5
d	[mm]	16 25 35
Ø e	[mm]	24 29 38
f max.	[mm]	55 72 92
g min.	[mm]	50 65 82
h		G 1/8 G 1/4 G 1/2
Weight	[kg]	0.13 0.3 0.8
Part no.		2956-311 2956-411 2956-511

Δ p-Q curves for kinematic viscosity of 72x10⁻⁶ m²/s, throttle totally opened



Flow control valve
Max. operating pressure 500 bar



Weight [kg]	0.36
Part no.	6355-108

Δ p-Q curves for kinematic viscosity of 36x10⁻⁶ m²/s, throttle totally opened

