



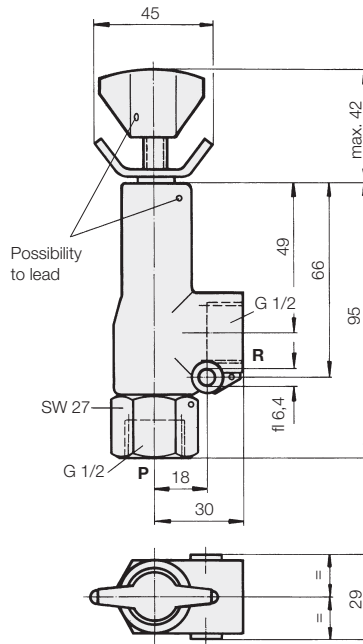
**Pressure Relief Valve  
Pressure Reducing Valve with Check Valve**



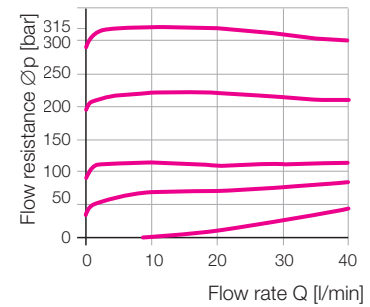
**Pressure relief valve**

Protection against exceeding the max. operating pressure of the fixture (safety valve) or limiting of working pressures.

Type	Poppet valve, directly controlled
Type of mounting	Installation in line
Port size	G 1/2
Weight approx.	0.3 kg



Øp-Q- curves



Oil viscosity during measurement 50 mm<sup>2</sup>/s

**Hydraulic characteristics**

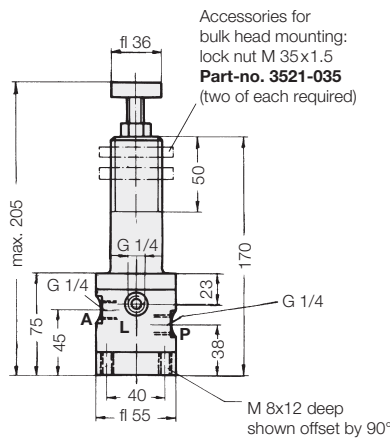
Range of adjustment	[bar]	0...500
Oil temperature	[°C]	-25...+80
Max. flow rate	[l/min]	40
Max. operating pressure		
Port P	[bar]	500
Port R	[bar]	20
<b>Part-no.</b>		<b>2952-521</b>
Max. operating pressure		
Ports P and R	[bar]	500
<b>Part-no.</b>		<b>2952-525</b>



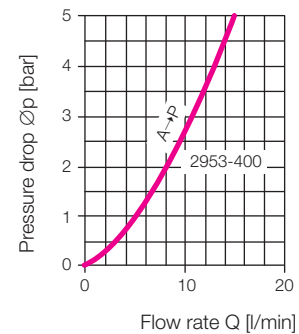
**Pressure reducing valve with check valve**

Type	Spool valve
Type of mounting	In-line pipe or bulk head mounting
Port size	G 1/4
Weight approx.	1.7 kg

**ND 5**



Øp-Q-curve for kinematic viscosity of 36x10<sup>-6</sup> m<sup>2</sup>/s (HLP 46 at 50 °C)



**Hydraulic characteristics**

Range of adjustment	[bar]	10...150
Max. operating pressure	[bar]	200
Leakage	[cm <sup>3</sup> /s]	approx. 0.5 at set pressure 100 bar
<b>Part-no.</b>		<b>2953-400</b>

**Important note!**

The leakage oil line "L" to the reservoir must be without pressure.