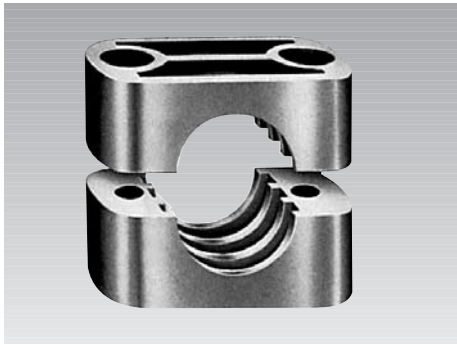


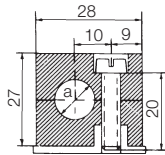


Tube Clamps

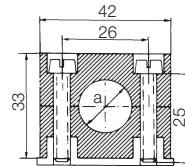
Material: Polypropylene, Ultramid



Clamp size I



Clamp size II



For all sizes:
depth of clamp 30 mm
fastening screw M 6

Single tube clamps

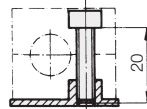
1 clamp consists of two clamp segments

Clamp size	Tube Ø a [mm]	Part-no.	Clamp size	Tube Ø a [mm]	Part-no.
I	8	3300-892	II	15	3300-897
I	10	3300-893	II	16	3300-890
I	12	3300-895			

Single mounting welding plate



For clamp size I



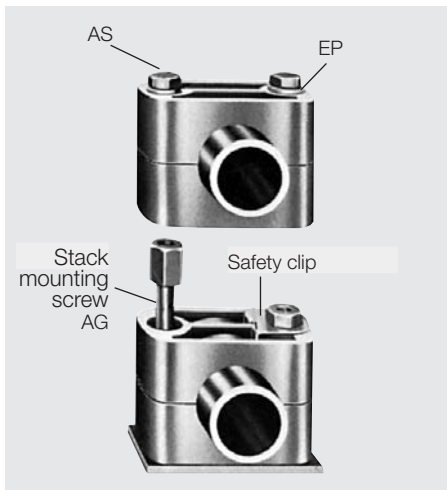
	Tube Ø a [mm]	Part-no.
Single mounting welding plate	8–12	3300-600
Hex. socket head cap screw M 6 x 20, DIN 912	8–12	3300-225

Multiple mounting welding plate for 10 tube clamps

(can be shortened by sawing off)



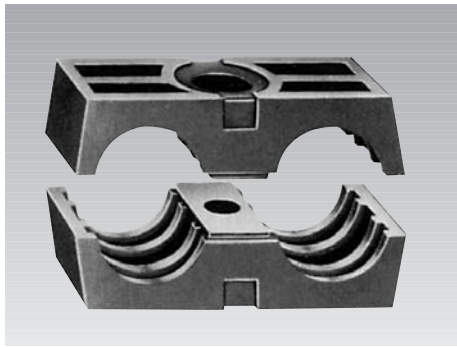
Tube centre distance [mm]	Tube Ø a [mm]	Part-no.
30	8–12	3300-602
43	15–16	3300-603



Stack mounting

(Clamps on top of each other)

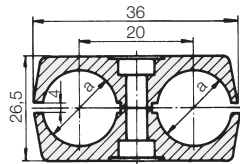
	Tube Ø a [mm]	Part-no.
Stack mounting screw	8–12	3300-604
	15–16	3300-605
Safety clip	8–12	3300-335
	15–16	3300-336



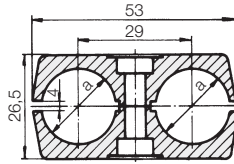
Twin tube clamp

1 clamp consists of two clamp segments

Clamp size I



Clamp size II



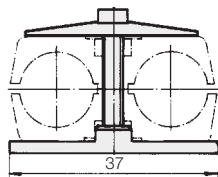
For all sizes:
depth of clamp 30 mm
fastening screw M 6

Clamp size	Tube Ø a [mm]	Part-no.	Clamp size	Tube Ø a [mm]	Part-no.
I	8	3300-891	II	16	3300-899
I	10	3300-449			
I	12	3300-894			

Single mounting welding plate



For clamp size I



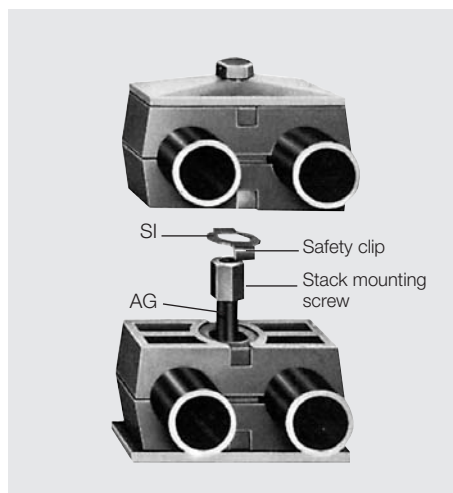
	Tube Ø a [mm]	Part-no.
Single mounting welding plate	8–12	3300-607
Convec cover plate	8–12	3300-609
Hex. socket head cap screw M 6 x 20, DIN 912	8–12	3300-225
Convec cover plate	16	3300-610

Multiple mounting welding plate for 5 tube clamps

(can be shortened by sawing off)



Clamp centre distance [mm]	Tube Ø [mm]	Part-no.
40	8–12	3300-611
58	15–16	3300-612



Stack mounting

(Clamps on top of each other)

	Tube Ø a [mm]	Part-no.
Stack mounting screw	8–12	3300-613
	15–16	3300-614
Safety clip	8–12	3300-615
	15–16	3300-616