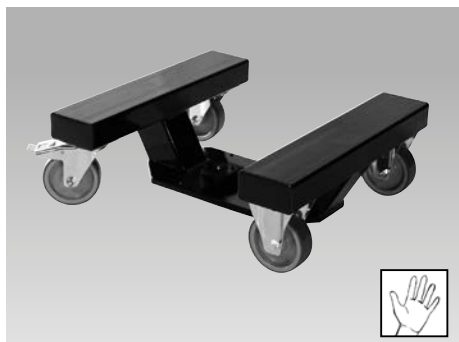




## Cart Modules WMS

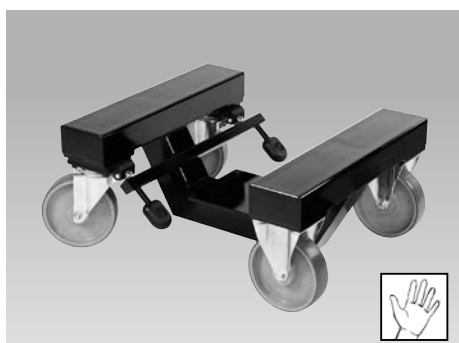
Max. load 2,000 to 6,000 N



**WMS 200:** maximum load 2,000 N

### Advantages

- Suitable for workshop setups
- Easily combinable with modulog lifting modules
- Easy transport of heavy components or fixtures
- Low driving resistance even with high loads
- Parking brakes with foot pedal operation at both sides
- Fixed rollers and steering rollers
- Good accessibility
- Optimised ergonomics
- Simple operation



**WMS 600:** maximum load 6,000 N

### Description

The cart modules WMS are offered for two different loads. For the cart module WMS 200 the maximum admissible load is 2,000 N and for WMS 600 the maximum load is 6,000 N. The cart modules WMS consist of a welded sturdy steel frame with two fixed rollers and two steering rollers, which are equipped with a parking brake.

the parking brakes of WMS 200 are individually operated. In version WMS 600 the brakes are coupled and can be operated from both sides by means of a foot pedal.

In the centre of the steel frame there is a mounting plate. This plate is used for fixation of lifting modules.

Alternatively workshop setups can be mounted at the steel frame.

### Material

Frame: steel, black-lacquered  
 Tires: PUR

### Mounting

For mounting of *modulog* modules or other components the cart modules have in the centre of the steel frame an interface 200 x 200.

As accessory an adaptor plate is available to mount workshop setups and *modulog* modules with interface 140 x 140.

To combine lifting carts, appropriate table plates with handles are available as accessory.

### Important notes

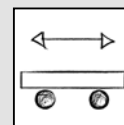
To move the cart module the user has to provide handles.

The cart modules may only be moved at walking pace.

### *modulog*

## Cart module WMS

Part-no. 89000XX10



### Technical characteristics

Max. load  
 WMS 200: 2,000 N  
 WMS 600: 6,000 N

### Operations

- Manual



### Combinable with the modules

- Lifting modules as per data sheet M 4.XXX



### *modulog* interface

- 200 x 200 - M10

### Accessories

- Table plates as per data sheet M 8.130

### Application

Cart modules for the transport of devices, assembly fixtures or testing devices within the production.

Cart modules in combination with lifting modules are advantageously used in assembly or production processes, if components have to be transported to working places with different working heights.

Lifting carts can also be used as working surface. The lifting carts with the components will be pushed to the individual working places and adjusted to the optimum ergonomic working height, loading and unloading of the components is not required.

### Principal use

- Material supply
- Production plants
- Test area for quality assurance
- Logistics
- Movable working stations

### Application example

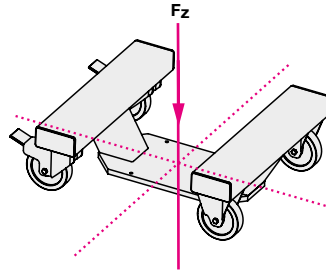


Lifting cart – combined by cart module WMS 600, lifting module Shop-Floor and a table plate.

# Technical characteristics Dimensions

## Maximum admissible load $F_z$

WMS 200:  $F_z = 2,000 \text{ N}$   
WMS 600:  $F_z = 6,000 \text{ N}$



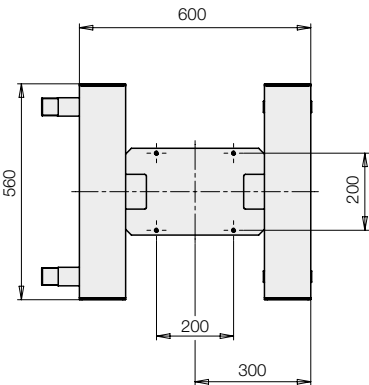
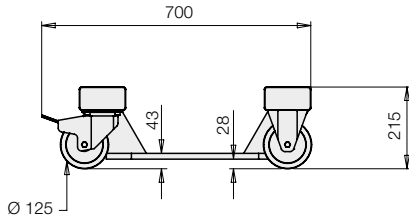
Part-no.:  
WMS 200: 89000201 O  
WMS 600: 89000611 O

## Important note

Due to stability reasons, only center load of the cart modules is admitted.  
For cart modules with special dimensions and larger base are available as special versions, please enquire.

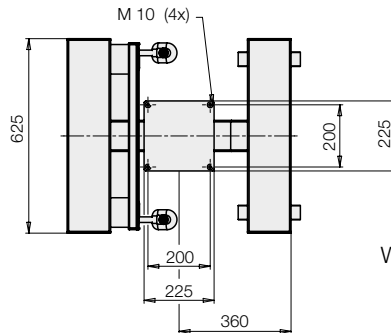
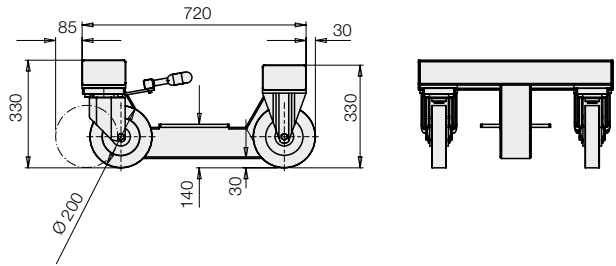
## Dimensions

### WMS 200



Weight = 40 kg

### WMS 600



Weight = 85 kg

## Accessories

- Table plates made of wood or steel

See data sheet M 8.130